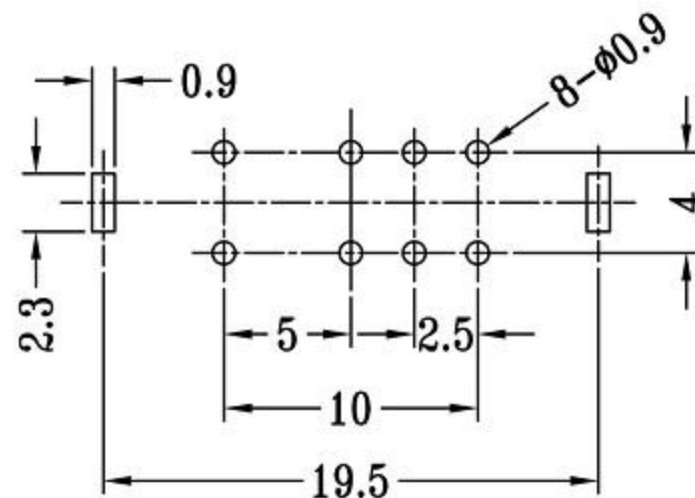
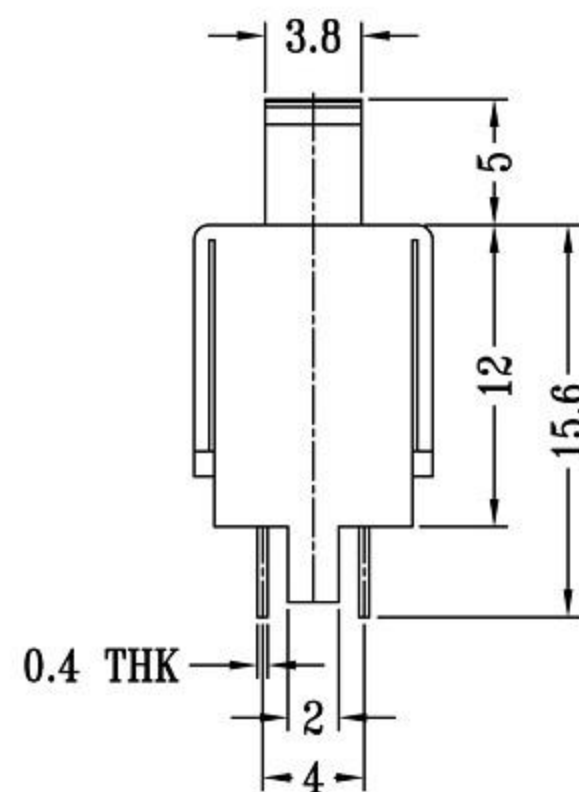
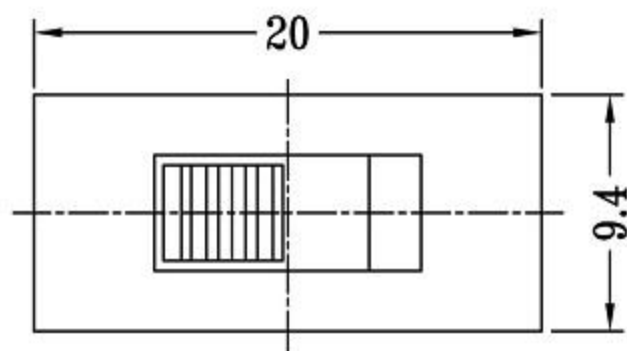
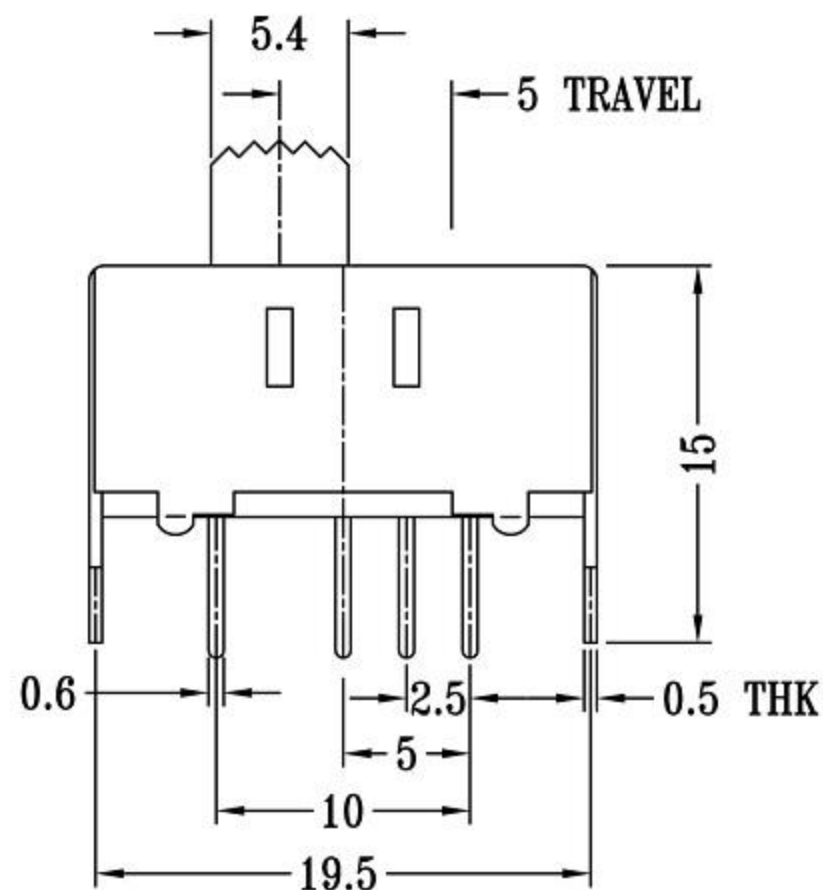
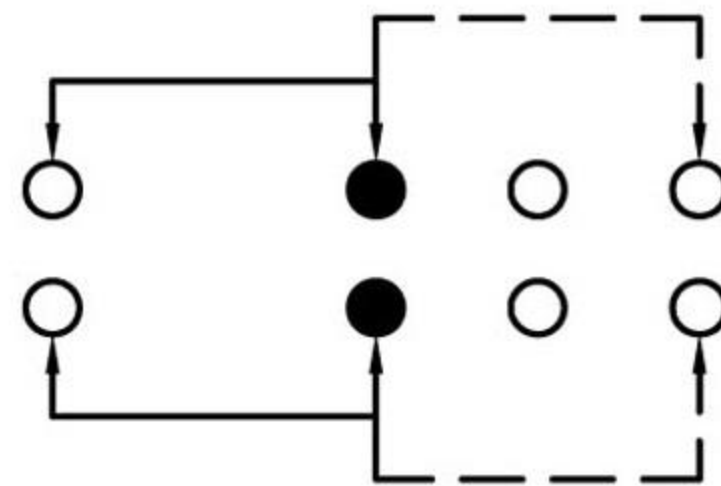




CAD FILE:



P.C.B. LAYOUT
BOTTOM VIEW



SCHEMATIC (NON-SHOTRING)

拨动开关立式技术参数:

1. 额定负荷: DC 30V 50V 0.3A 0.5A
2. 接触阻抗: $\leq 50m\Omega$
3. 绝缘阻抗: $\geq 100m\Omega$ DC500V
4. 耐焊温度: $250 \pm 5^\circ$ 5s
5. 使用寿命: 10,000 cycles
6. 使用温度: -25°C to 80°C
7. 使用湿度: $\leq 85\%$ RH
8. 操作力: 160gf 256gf 300gf 可定制
9. 手柄长度: 2mm-10mm 可定制

注: "*"表示关键尺寸(6个)

NO.	PARTS	MATERIALS	Q'TY	FINISH	TOLERANCE UNLESS SPECIFIED		WITHIN OVER		A		2012-10-28		初版		DESCRIPTIONS OF REVISION		APPD.
8																	
7	STEEL BALL	STEEL	1	NATURAL													
6	SPRING	STEEL WIRE	1	NATURAL													
5	CONTACT CLIP	PBS STRIP	2	Ag PLATED													
4	TERMINAL	BRASS STRIP	8	Ag PLATED													
3	BASE	PHENOLIC RESIN	1	NATURAL													
2	FRAME	STEEL STRIP	1	Ni PLATED													
1	NOB	POM	1	BLACK													
					东莞市高迪电子有限公司					UNIT : mm		DRWG NO.:					
										SCALE: 3:1		DWN.		2012-10-26			
												CHK'D				2012-10-26	
												APPD.					